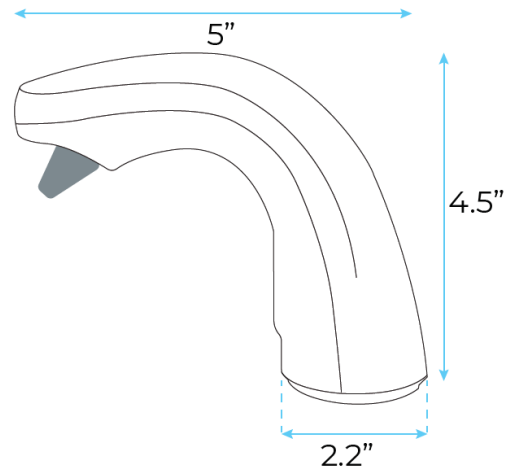


FONTANA COMMERCIAL AUTOMATIC BRUSHED GOLD LIQUID FOAM SOAP DISPENSER SPECS



SPECS :

Product Type: Commercial
 Main Construction Material: Brass
 Mount Type: Deck
 Handle Type: Infra-Red
 Input adapter: 110-240V DC 0.55A
 Output Adapter: 15V DC 1.6A Class 2
 Control box input: 15V DC 0.2A Class 2
 Valve/Cartridge Type: Solenoid Valve
 Plumbing System Requirements: Suitable for all plumbing systems
 Sensing Range: 5 - 15cm
 Activation Time: 0.5 - 1 secs
 Viscosity of Liquid Soap: 100-3500cp (mpA.s)
 Isolation Included: NO

